

THE GLOBAL EXPERT
IN **SOLID STATE**
POWER SWITCHING
TECHNOLOGY



■ Food Preparation Equipment



■ Petrochemical



■ HVAC

RHP
Series



CST
CUSTOM SENSORS & TECHNOLOGIES

crydom
Hybrid Solid State Contactors

crydom®

Crydom has a distinguished record of providing advanced, high quality products with timely delivery and competitive pricing. Your success in today's fastpaced global markets hinges on working with suppliers who respond quickly and appropriately to your every need.

In addition to an extensive selection of catalog off-the-shelf items, Crydom offers custom-designed solid state relays. Fact is we specialize in satisfying the most demanding environmental and performance requirements our customers can devise. Give us your specs, and watch us exceed your expectations!

At Crydom's custom-built **100,000 square foot manufacturing facility**, virtually everything is accomplished in-house to assure complete control over delivery, production, and above all quality. With design, development, manufacturing and management personnel

under one roof, we're geared for fast response to your requirements.

In **Design Engineering**, we focus on pushing performance, reliability and quality standards ever higher. Working under a conservative design and rating philosophy, Crydom's seasoned engineering team makes extensive use of CAD to optimize design of mechanical parts.

As a result of these efforts, Crydom has acquired an impressive list of patents in solid state relay technology, while continuing to create new circuit and technology-related inventions as part of our ongoing R & D programs.

Once the design is solidified, **Production Engineering** is responsible for the engineering

control of the techniques used throughout manufacturing. This department works closely with our design engineering group, establishes assembly processes, and oversees a comprehensive on-premises machine shop which fabricates our assembly fixtures.

As the work progresses, **Material and Production Control** employ our advanced computer system, upgraded with our customized software to keep manufacturing operations humming. The computer system employs integral MRP and MSP capabilities to generate detailed scheduling and planning information.

Ceramic Hybrid Manufacturing also is performed in-house. Crydom manufactures all metallized ceramic substrates used in our relays — a major factor in product performance and reliability, including direct bond copper substrates.



www.crydom.com

Quality Assurance conducts ongoing product reliability verification tests, gathering precise data on the quality of our power semiconductor vendors and the silicon chips they provide. Additional tests are performed to meet specific customer burn-in requirements.

Crydom tests are exhaustive, including **100% verification** at final test. After units are completely assembled, they must pass a complete set of electrical tests, which are performed twice, once prior to encapsulation and then again afterward.

Because of our dedication to quality, Crydom was one of the first American companies to achieve full certification to the demanding standards of ISO 9001. In addition, most Crydom products are approved by UL, CSA, VDE, TUV and carry the CE Mark signifying conformance with the latest European directives. Certain panel mount and din rail mount relays carry UL 508A SCCR ratings.

Learn how an alliance with the world leader in solid state relays can pay off for you. For details, call your authorized Crydom distributor today.



RHP Series

What is a Hybrid Solid State Contactor?

Crydom has combined solid state and mechanical switching technologies to create its line of **Hybrid Solid State Contactors**. The **RHP** contactors (*patent pending*) provide the performance advantages of both technologies in an industry standard DP contactor package. Crydom's proven Hybrid SSR technology utilizes contactless solid state turn on and turn off performance, coupled with the very low on state power dissipation characteristic of contactors. This combination results in a fast switching highly reliable contactor that does not require the use of a heat sink.

Available in single and 3 phase versions, **Hybrid Solid State Contactors** are a cost effective alternative to Mercury Displacement Relays (MDR). **RHP** contactors are safe and comply with industry standards while offering high power switching capabilities.

What are the advantages of the RHP contactors?

- ✓ They are the perfect "mercury-free alternative" to replace MDRs
- ✓ 40 & 50 Amp versions in an industry standard DP contactor package for easy replacement in existing applications
- ✓ Highly reliable and longer operation life than standard EMRs
- ✓ DC logic compatible input available
- ✓ No heat sink requirement reduces panel space and overall system cost

Typical Applications

Food Industry Equipment

Baking ovens
Coffee urns
Deep fryers
Electric grills
Pizza ovens

Electric Heaters

Quartz heaters
Radiant heaters
Plastic extruders
Packaging equipment
Drying ovens
Heat sealing machines
Injection molding machines
Laboratory ovens

Lighting

Tungsten lamps
Pool heaters
Infrared heaters
Tower lights
Heat lamps



3 Phase Contactor AC Input

40-50 Amp
280/600 VAC

PATENT PENDING

- Combined SSR and EMR advantages
- Lifetime >2 million operations @ full load
- No heat sink required
- Input status LED indicator
- Wire, lug or quick connect termination
- DP contactor footprint
- CE compliant, UL/cUL recognized



3 Phase Contactor DC Input

40-50 Amp
120/240 VAC

PATENT PENDING

- Combined SSR and EMR advantages
- Lifetime >2 million operations @ full load
- No heat sink required
- DC logic compatible input
- Input status LED indicator
- Wire, lug or quick connect termination
- DP contactor footprint
- CE compliant, UL/cUL recognized

CONTROL SPECIFICATIONS^①

Control Voltage Suffix	E	F	G
Coil Voltage Range	20 - 26 VAC, 50/60 Hz	100 - 130 VAC, 50/60 Hz	208 - 240 VAC, 50/60 Hz
Min. Turn-On Voltage	20 VAC	100 VAC	208 VAC
Min. Turn-Off Voltage	12 VAC	24 VAC	48 VAC
Coil Power Consumption, Inrush	56 VA @ 24 VAC	56 VA @ 120 VAC	56 VA @ 220 VAC
Coil Power Consumption, Sealed	6.6 VA @ 24 VAC	6.6 VA @ 120 VAC	6.6 VA @ 220 VAC
Coil Terminals	10 in lb (1.13 Nm)	10 in lb (1.13 Nm)	10 in lb (1.13 Nm)

OUTPUT SPECIFICATIONS^①

Voltage suffix	28	60
Operating Voltage (50/60Hz)	24 - 280 VAC	48 - 600 VAC
Maximum Off-State Leakage Current per channel ^②	0.05 mA @ 240 VAC	0.06 mA @ 480 VAC
Load Current suffix	40	50
Maximum Load Current per Phase @ 40°C ^②	40 A Resistive	50 A Resistive
Power terminals / wire range	Dual quick connect and Binder head screws / AWG#14 - AWG#8	Dual quick connect and Box lugs / AWG#14 - AWG#6
Screw torque requirements	18 in lbs (2.1 Nm)	25 in lbs (2.9 Nm)

GENERAL SPECIFICATIONS^①

Input to Output Dielectric Isolation.	4000 VAC
Input/Output to Ground Dielectric Isolation.	2500 VAC
Contacts (Double Break) ^③	Three Normally Open
Ambient Operating Temperature Range ^④	-20°C to 75°C
Ambient Storage Temperature Range	-40°C to 100°C
Max. Turn-On Time	16.6 mS @ 60 Hz / 20 mS @ 50 Hz
Max. Turn-Off Time	32 mS @ 60 Hz / 40 mS @ 50 Hz
Maximum Number of Operations per Minute	30 operations per min
Lifetime @ Rated Load Current, 40°C ambient temp, 30 operations/min, Rated Vcontrol	> 2 Million operations
Weight (typical)	540 grs (1.19 lb)

① Specifications @ 25°C unless otherwise noted.

② See Derating Curves for additional operational conditions.

③ The RHP includes a Solid-State Relay. Therefore, the output is never completely open.

④ The RHP includes an overtemperature protection for the Solid-State Module.

ac input

	Operating Voltage VAC 50/60 Hz	Load Current Amps rms	Control Voltage VAC 60 Hz
3RHP2840E	24-280	40	20-26
3RHP2840F	24-280	40	100-130
3RHP2840G	24-280	40	208-240
3RHP2850E	24-280	50	20-26
3RHP2850F	24-280	50	100-130
3RHP2850G	24-280	50	208-240
3RHP6040E	48-600	40	20-26
3RHP6040F	48-600	40	100-130
3RHP6040G	48-600	40	208-240
3RHP6050E	48-600	50	20-26
3RHP6050F	48-600	50	100-130
3RHP6050G	48-600	50	208-240

CONTROL SPECIFICATIONS^①

Control Voltage Suffix	D5	D12	D24
Control Voltage Range	4.5 - 5.5 VDC	10 - 15 VDC	22 - 27 VDC
Max. Reverse Voltage	-5.5 VDC	-15.5 VDC	-27.5 VDC
Min. Turn-On Voltage	4.5 VDC	9.5 VDC	9.5 VDC
Min. Turn-Off Voltage	1 VDC	2 VDC	2 VDC
Input Current	12mA @ 5 VDC	12mA @ 12 VDC	12mA @ 24 VDC
Input Connector	5.31 in lb (0.6 Nm)	5.31 in lb (0.6 Nm)	5.31 in lb (0.6 Nm)

OUTPUT SPECIFICATIONS^①

Voltage suffix	12	24
Operating Voltage (50/60Hz)	100 - 120 VAC	208 - 240 VAC
Maximum Off-State Leakage Current per channel ^②	0.05 mA @ 120 VAC	0.06 mA @ 240 VAC
Load Current suffix	40	50
Maximum Load Current per Phase @ 40°C ^②	40 A Resistive	50 A Resistive
Power terminals / wire range	Dual quick connect and Binder head screws / AWG#14 - AWG#8	Dual quick connect and Box lugs / AWG#14 - AWG#6
Screw torque requirements	18 in lbs (2.1 Nm)	25 in lbs (2.9 Nm)

GENERAL SPECIFICATIONS^①

Input to Output Dielectric Isolation	4000 VAC
Input/Output to Ground Dielectric Isolation	2500 VAC
Contacts (Double Break) ^③	Three Normally Open
Ambient Operating Temperature Range ^④	-20°C to 75°C
Ambient Storage Temperature Range	-40°C to 100°C
Max. Turn-On Time	16.6 mS @ 60 Hz / 20 mS @ 50 Hz
Max. Turn-Off Time	32 mS @ 60 Hz / 40 mS @ 50 Hz
Maximum Number of Operations per Minute	30 operations per min
Lifetime @ Rated Load Current, 40°C ambient temp, 30 operations/min, Rated Vcontrol	> 2 Million operations
Weight (typical)	540 grs (1.19 lb)

① Specifications @ 25°C unless otherwise noted.

② See Derating Curves for additional operational conditions.

③ The RHP includes a Solid-State Relay. Therefore, the output is never completely open.

④ The RHP includes an overtemperature protection for the Solid-State Module.

dc input

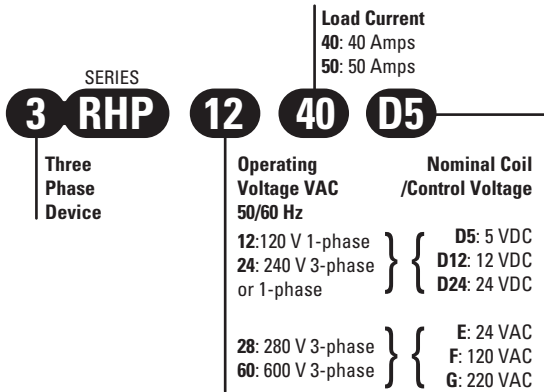
	Operating Voltage VAC 50/60 Hz	Load Current Amps rms	Control Voltage VDC
3RHP1240D12	100-120	40	10-15
3RHP1240D24	100-120	40	22-27
3RHP1240D5	100-120	40	4.5-5.5
3RHP1250D12	100-120	50	10-15
3RHP1250D24	100-120	50	22-27
3RHP1250D5	100-120	50	4.5-5.5
3RHP2440D12	208-240	40	10-15
3RHP2440D24	208-240	40	22-27
3RHP2440D5	208-240	40	4.5-5.5
3RHP2450D12	208-240	50	10-15
3RHP2450D24	208-240	50	22-27
3RHP2450D5	208-240	50	4.5-5.5

Questions? Call or e-mail

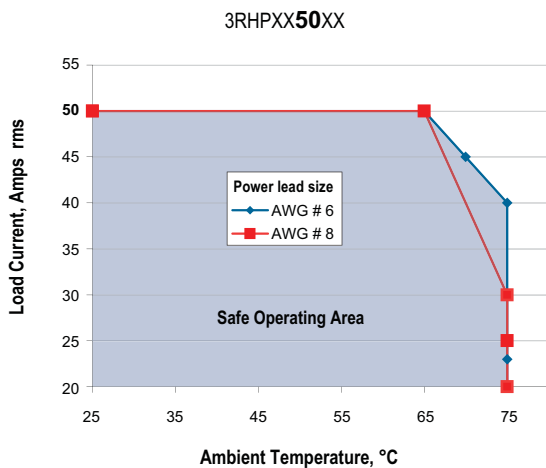
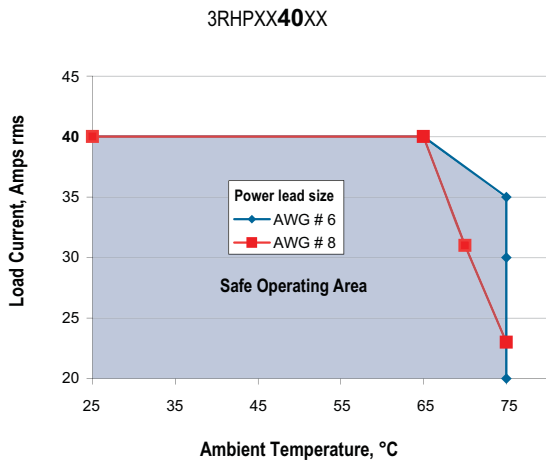
Americas +1 (877) 502 5500 sales@crydom.com

Europe +44 (0) 1202 606030 sales-europe@crydom.com

Part Number Nomenclature

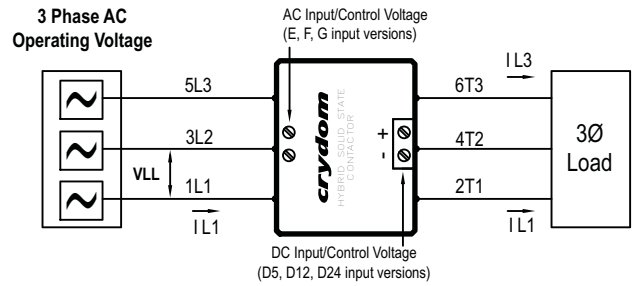


Derating Curves



Typical Electrical Connection for 3 Phase Applications[Ⓢ]

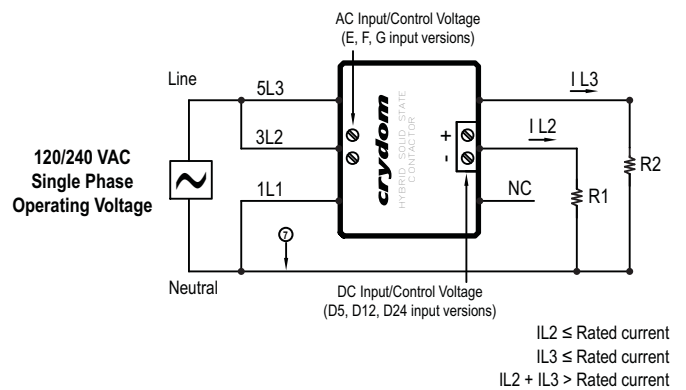
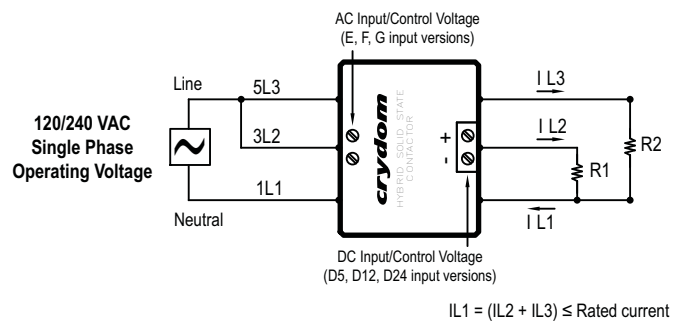
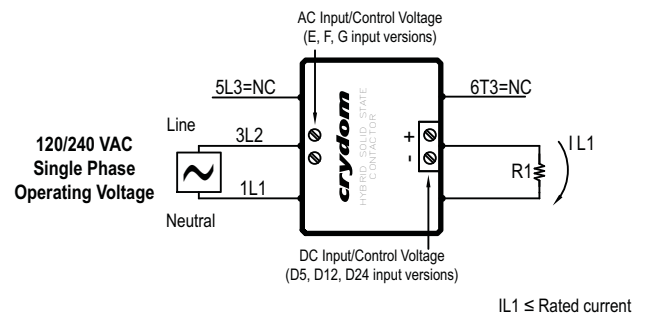
(For output voltage options 24, 28, 60)



DO NOT apply any AC voltage to contactor coil connections, for DC versions only.

Optional Electrical Connections for Single Phase Applications[Ⓢ]

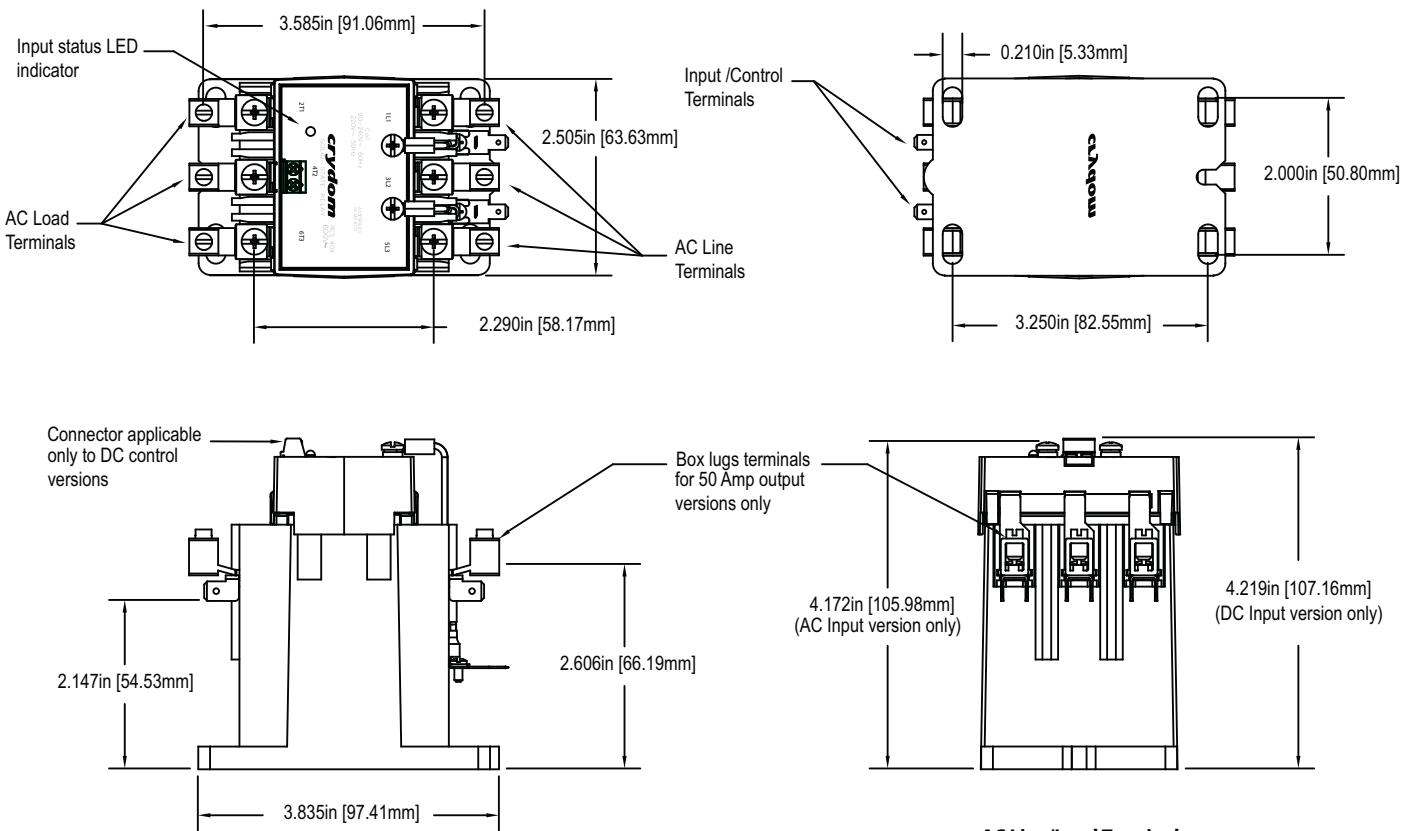
(For output voltage options 12, 24, 28, 60)



- Ⓢ Match VLL to voltage suffixes 28 & 60 for options E, F & G and 12 & 24 for options DX.
- Ⓢ The single phase supply voltage must be wired to terminal 1L1 and 3L2 for proper single phase operation.
- Ⓢ In applications switching two single phase loads (R1 and R2) where the combined load current exceeds the contactor's rating (40 or 50 Amps) the return/neutral lead must not be wired through the contactor (see above drawing).

Mechanical Dimensions

(Tolerances: ± 0.02 in / 0.5 mm)



- **AC Line/Load Terminals**
#10-24 screws or .25in x .032in Dual Fast-On
(Box lugs available on 50 Amps version only)
- **Input/Control Terminals**
#8-32 screws or .25in x .032in Fast-On

Accessories



DIN rail bracket

Part Number DMB3

Description DIN Rail mounting adaptor kit



Auxiliary contact

Part Number HAC1

Includes one normally open & one normally closed contact, each rated @ 5 Amps rms, 600 VAC, 50/60 Hz 2.5 in Quick Connect



Mounted auxiliary contact



Mounted DIN rail bracket

Questions? Call or e-mail

Americas +1 (877) 502 5500 sales@crydom.com

Europe +44 (0) 1202 606030 sales-europe@crydom.com



Single Phase Contactor 20 Amp

90-250 VAC

- Combined SSR and EMR advantages
- Lifetime >5 million operations @ full load
- No heat sink required
- Input status LED indicator
- Quiet operation
- 17.5 DIN rail mount or panel mount
- CE & RoHS compliant, UL/cUL listed
- US Patent No. 6, 347, 024 B1

OUTPUT SPECIFICATIONS ①

	1RHP2520D32	1RHP2520A
Operating Voltage (50/60Hz) [VAC]	90-250	90-250
Maximum Load Current (Resistive only) [Arms]	20	20
Minimum Current [mA rms]	100	100
Maximum Off-State Leakage Current [mA rms]	5	5

INPUT SPECIFICATIONS ①

	1RHP2520D32	1RHP2520A
Control Voltage Range	4-32 VDC	90-250 VAC
Maximum Input Current	30 mA DC	4.85 mA rms
Minimum Input Current	2.3 mA DC	1.65 mA rms
Drop out Voltage	1 VDC	46 VAC

GENERAL SPECIFICATIONS ①

Contacts (Single Break)	N.O. (Normally Open)
Ambient Operating Temperature Range	-5 to 70°C
Ambient Storage Temperature Range	-40 to 85°C
Max. Turn-On Time	16.6 mS @ 60 Hz / 20 mS @ 50 Hz
Max. Turn-Off Time	32 mS @ 60 Hz / 40 mS @ 50 Hz
Maximum Number of Operations per minute	20/min
Lifetime Number of Operations	>5 Million
Terminal Torque	8.85 in lb (1 Nm) max
Acoustic noise ON position	<35 dB @ 3.2 ft (1 m)
Acoustic noise switching	<50 dB @ 1.6 ft (0.5 m)
Weight (typical)	70 gr
Terminal capacity	2 x AWG #14 with ferrule and 2 x AWG #12 without ferrule

① Specifications @ 25°C unless otherwise noted.

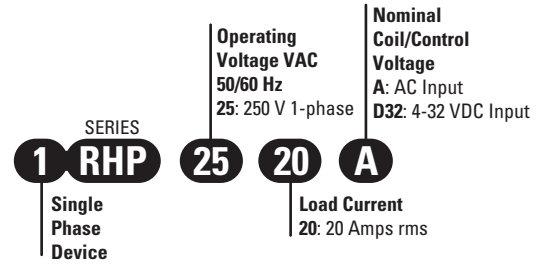


Operating Voltage	Load Current	Control Voltage	
VAC 50/60 Hz	Amps rms	VDC	
1RHP2520D32	90-250	20	4-32 UL, cUL

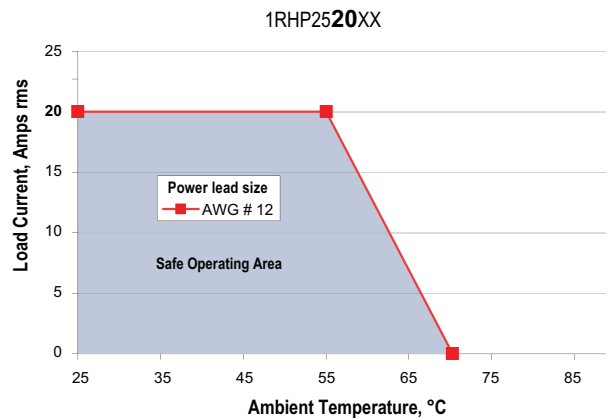


Operating Voltage	Load Current	Control Voltage	
VAC 50/60 Hz	Amps rms	VAC 50/60 Hz	
1RHP2520A	90-250	20	90-250 UL, cUL

Part Number Nomenclature

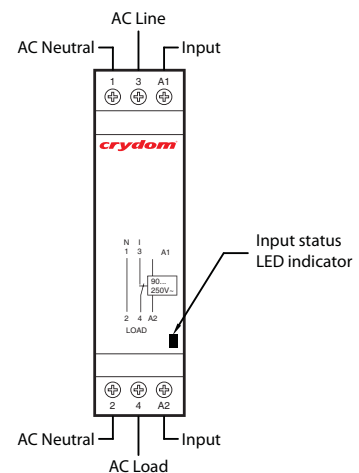
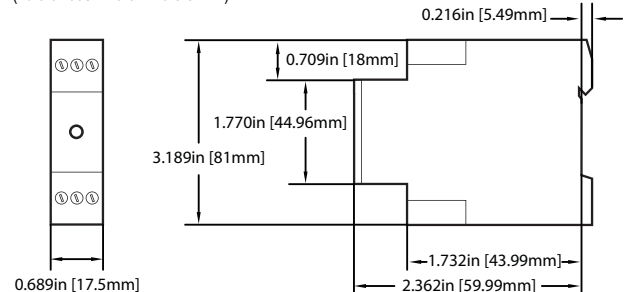


Derating Curve



Mechanical Dimensions

(Tolerances: ± 0.02 in / 0.5 mm)



crydom
Across the Globe



AMERICAS

USA & CANADA

Crydom Inc
2320 Paseo de las Americas,
Suite 201
San Diego CA 92154

Sales Support

Tel.: +1 (877) 502 5500
Fax: +1 (619) 710 8540
sales@crydom.com

Tech Support

Tel.: +1 (877) 702 7700
support@crydom.com

MEXICO

**Automatismo Crouzet
S.A. de C.V.**
Calzada Zavaleta 2505 - C
Col Sta Cruz Buenavista
C.P. 72150 - Puebla
MEXICO

Tel.: +52 (222) 409 7000
Fax: +52 (222) 409 7810
01 800 087 6333
sales-mx@crydom.com

**SOUTHERN AND
CENTRAL AMERICAN
COUNTRIES**

CST Latinoamerica

Alameda Rio Negro, 1.084-cj.A31
Centro Empresarial de Alphaville
CEP: 06454-000
Barueri - SP
BRASIL

Tel.: +55 (11) 4191 9797
Fax: +55 (11) 4191 9136
info@cst-latinoamerica.com

**EUROPE
MIDDLE EAST
AFRICA**

UNITED KINGDOM

Crydom SSR Ltd
Arena Business Centre
Holyrood, Close
Poole, Dorset BH17 7FJ

Sales Support

Tel.: +44 (0) 1202 606030
Fax: +44 (0) 1202 606035
sales-europe@crydom.com

Tech Support

tech-europe@crydom.com

AUSTRIA & SWITZERLAND

Tel.: +44 (0) 1202 606030
Fax: +44 (0) 1202 606035
vertrieb@crydom.com

GERMANY

Tel.: +49 (0) 180 3000 506
Fax: +49 (0) 180 3205 227
vertrieb@crydom.com

BELGIUM

Tel.: +32 (0) 2 460 4413
Fax: +32 (0) 2 461 2614
sales-europe@crydom.com

FRANCE

N°Azur 0 810 123 963
PREMIER LOCAL
N°Azur FAX 0 810 057 605
PREMIER LOCAL
sales-europe@crydom.com

ITALY

Tel.: +39 (0) 2 665 99 260
Fax: +39 (0) 2 665 99 268
sales-europe@crydom.com

THE NETHERLANDS

Tel.: +31 (0) 71 582 0068
Fax: +31 (0) 71 542 1648
sales-europe@crydom.com

SPAIN

Tel.: +34 902 876 217
Fax: +34 902 876 219
sales-europe@crydom.com

**MIDDLE EAST,
AFRICA AND OTHER
EUROPEAN COUNTRIES**

Tel.: +44 (0) 1202 606030
Fax: +44 (0) 1202 606035
sales-europe@crydom.com

**ASIA
PACIFIC**

CHINA & HONG KONG

**Custom Sensors &
Technologies Asia
(Shanghai) Ltd.**

2 Floor, Innovation Building,
No.1009, Yi Shan Road,
Shanghai, 200233
Tel.: +86 (21) 2401 7766
Fax: +86 (21) 6249 0701
sales-cn@crydom.com

TAIWAN

**Custom Sensors &
Technologies**

3F, No. 39, Ji-Hu Road
Nei-Hu Dist.
Taipei 114, Taiwan
Tel.: +886 2 8751 6388
Fax: +886 2 2657 8725
taiwan@cstensors.com

SOUTH KOREA

**Custom Sensors &
Technologies**

5F, Jeil Bldg.,
94-46 Youngdeungpo-dong 7-ga
Youngdeungpo-gu,
Seoul, 150-037
South Korea
Tel.: +82 2 2629 8312
Fax: +82 2 2629 8310
korea@cstensors.com

INDIA

CST Sensors India Pvt Ltd

Unit 1301 and 1302 Prestige
Meridian II
30 M.G.Road,
Bangalore - 560001
INDIA
Tel.: +91 (80) 4113 2204/05
Fax: +91 (80) 4113 2206
india@cstensors.com

**OTHER ASIAN AND
PACIFIC COUNTRIES**

**Custom Sensors &
Technologies**

3F, No. 39, Ji-Hu Road
Nei-Hu Dist.
Taipei 114, Taiwan
Tel.: +886 2 8751 6388
Fax: +886 2 2657 8725
eap@cstensors.com

CAT/CR/RH/EN

Distributed by :