

Actual information about approvals can be found on
<http://www.schurter.com/approvals>



Snap-in mounting

Screw-on mounting

J



70° C

Description

- Panel Mount:
Snap-in or screw-on mounting, from front side
- 1 Function:
Outlet, Pin temperature 70 °C Protection class I
- Solder terminals or quick connect terminals Substitute for type [0723](#)

Characteristics

- Qualified for use in equipment according IEC/EN 60950

Other versions on request

- other panel thickness
- for protection class II

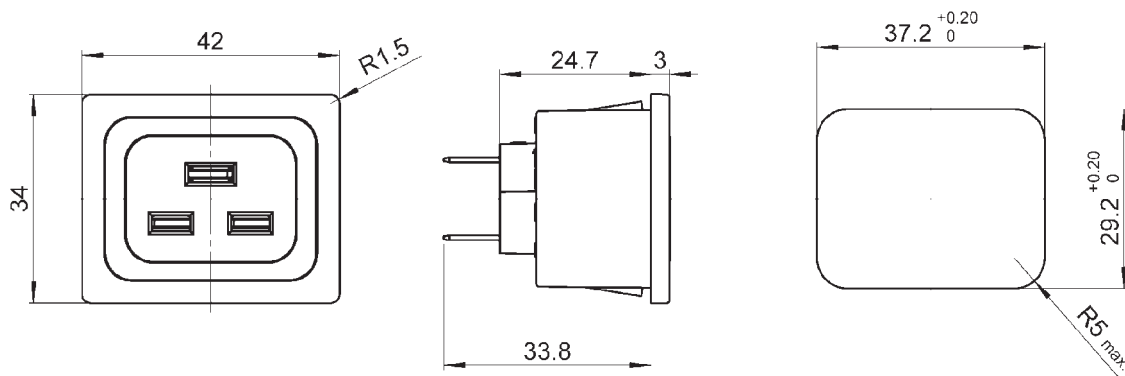
Technical Data

Ratings IEC	16 A / 250 VAC; 50 Hz
Ratings UL/CSA	20 A / 250 VAC; 60 Hz
Dielectric Strength	> 2.5 kVAC between L-N > 3 kVAC between L/N-PE (1 min/50 Hz)
Allowable operation temp.	-25 °C to 70 °C
Protection Class	Suitable for appliances with protection class I or II acc. to IEC 61140
Terminals	Solder terminals or quick connect terminals
Panel Thickness s	Screw-on: max 8 mm Mounting screw torque max 0.5 Nm Snap-In: 0.8 mm to 3 mm
Material: Housing	Thermoplastic, Black, UL 94V-0

Appliance-inlet /-outlet	J acc. to IEC/EN 60320-2-2 UL 498, CSA C22.2 no. 42 (for cold condition) pin-temperature 70 °C, 16 A, Protection class I
--------------------------	---

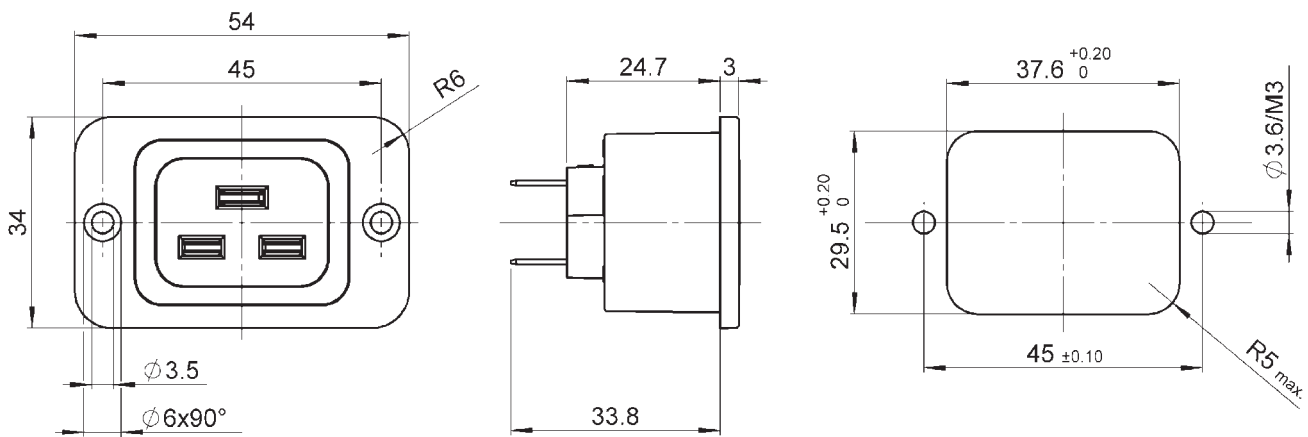
Dimensions

Snap-in mounting



4797

Screw-on mounting



Variants

Order Number	Panel mounting	Panel Thickness s [mm]	Terminals	Protection Class
4797.0010	Snap-In	1	Quick connect terminals 6.3 x 0.8 mm	I
4797.0110	Snap-In	1	Quick connect terminals 6.3 x 0.8 mm	II
4797.0012	Snap-In	1.2	Quick connect terminals 6.3 x 0.8 mm	I
4797.0112	Snap-In	1.2	Quick connect terminals 6.3 x 0.8 mm	II
4797.0015	Snap-In	1.5	Quick connect terminals 6.3 x 0.8 mm	I
4797.0115	Snap-In	1.5	Quick connect terminals 6.3 x 0.8 mm	II
4797.0020	Snap-In	2	Quick connect terminals 6.3 x 0.8 mm	I
4797.0120	Snap-In	2	Quick connect terminals 6.3 x 0.8 mm	II
4797.0025	Snap-In	2.5	Quick connect terminals 6.3 x 0.8 mm	I
4797.0125	Snap-In	2.5	Quick connect terminals 6.3 x 0.8 mm	II
4797.0030	Snap-In	3	Quick connect terminals 6.3 x 0.8 mm	I
4797.0130	Snap-In	3	Quick connect terminals 6.3 x 0.8 mm	II
4797.3010	Snap-In	1	Solder terminals	I
4797.3110	Snap-In	1	Solder terminals	II
4797.3012	Snap-In	1.2	Solder terminals	I
4797.3112	Snap-In	1.2	Solder terminals	II
4797.3015	Snap-In	1.5	Solder terminals	I
4797.3115	Snap-In	1.5	Solder terminals	II
4797.3020	Snap-In	2	Solder terminals	I
4797.3120	Snap-In	2	Solder terminals	II
4797.3025	Snap-In	2.5	Solder terminals	I
4797.3125	Snap-In	2.5	Solder terminals	II
4797.3030	Snap-In	3	Solder terminals	I
4797.3130	Snap-In	3	Solder terminals	II
4797.0000	Screw-on		Quick connect terminals 6.3 x 0.8 mm	I
4797.0100	Screw-on		Quick connect terminals 6.3 x 0.8 mm	II
4797.3000	Screw-on		Solder terminals	I
4797.3100	Screw-on		Solder terminals	II

Packaging unit 100 Pcs