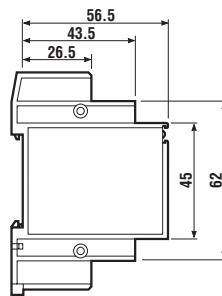
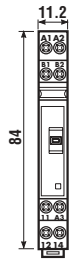


19.21

- 3 functions selector switch:
 - Auto (works as a monostable relay)
 - Off (relay permanently OFF)
 - On (relay permanently ON)
- AC/DC universal operation
- LED indicator
- 35 mm rail (EN 50022) mount
- Insulation between supply and contact terminals



- One module (11.2 mm) wide
- 1 pole
- Feedback contact



Contact specifications		
Contact configuration		1 CO (SPDT)
Rated current/Max. peak current	A	10/15
Rated voltage/Max. switching voltage	V AC	250/400
Rated load in AC1	VA	2,500
Rated load in AC15 (230 V AC)	VA	500
Single phase motor rating (230 V AC)	kW	0.44
Breaking capacity in DC1: 30/110/220 V	A	10/0.3/0.12
Minimum switching load	mW (V/mA)	300 (5/5)
Standard contact material		AgCdO
Supply specifications		
Nominal voltage	V AC (50/60 Hz)	24
	V DC	24
Rated power AC/DC	VA (50 Hz)/W	0.6/0.4
Operating range	V AC	(0.8...1.1)U _N
	V DC	(0.8...1.1)U _N
Technical data		
Mechanical life	cycles	10 · 10 ⁶
Electrical life at rated load in AC1	cycles	100 · 10 ³
Insulation between coil and contacts (1.2/50 μs)	kV	4
Dielectric strength between open contacts	V AC	1,000
Ambient temperature range	°C	-10...+50
Protection category		IP 20
Approvals: (according to type)		GOST

ORDERING INFORMATION

Example: a 19 series relay modular Auto-Off-On with 1 CO (SPDT) 10 A contact, rated at 24 V AC/DC supply.

1 9 . 2 1 . 0 . 0 2 4 . 0 0 0 0

Series	1 9	Supply voltage	024 = 24 V
Type	2 = 35 mm rail (EN 50022) mount, 11.2 mm	Supply version	0 = AC (50/60 Hz)/DC
No. of poles	1 = 1 pole		

TECHNICAL DATA

CONTACT SPECIFICATIONS

Nominal rate lamps			
- incandescent (230 V)	W	1,000	
- compensated fluorescent (230 V)	W	350	
- uncompensated fluorescent (230 V)	W	500	
- halogen (230 V)	W	1,000	

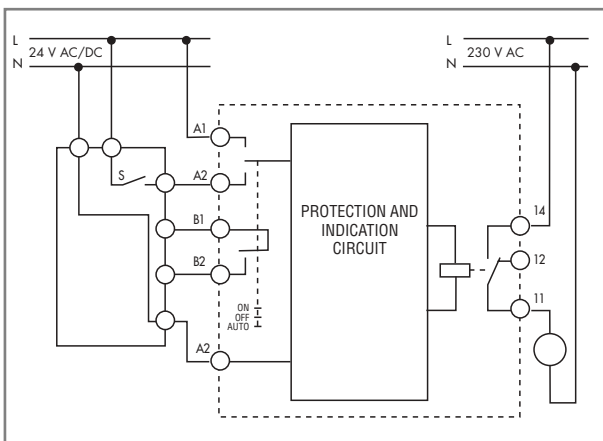
INSULATION

Dielectric strength			
- between supply and contacts	V AC	3,000	
- between open contacts	V AC	1,000	

19 OTHER DATA

Power lost to the environment			
- without contact current	W	0.4	
- with rated current	W	1.8	
Max wire size		solid cable	stranded cable
	mm ²	1x6 / 2x2.5	1x4 / 2x1.5
	AWG	1x10 / 2x14	1x12 / 2x16
Screw torque	Nm	0.5	

WIRING DIAGRAM



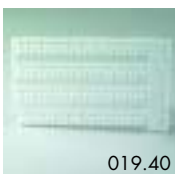
The max switching voltage between B₁ and B₂ terminal is 24 V AC/DC (300 mA).

SELECTOR POSITION

Selector switch	Control switch (S)	Output relay	LED	B ₁ -B ₂ contact
AUTO	Closed	ON	ON	Closed
	Open	OFF	OFF	Closed
ON	—	ON	ON	Open
OFF	—	OFF	OFF	Open

The B₁ - B₂ contact signals when the selector switch is in the Auto position. The LED indicates the state of the Modular relay's output contacts.

ACCESSORIES



019.40

Sheet of marker tags (40 tags), 8x10 mm	019.40
---	--------