



IEC Distribution Units

These IEC320 Distribution Units have combinations of five or six shuttered outlets together with neon indicator, fuse and switch options, housed in alternative shapes and configurations. The enclosed versions are also available with EMI filtering.

Type		Page
IEC Distribution Box/Panel		
PXD301	5 Way Rectangular	70
PXD100	5 Way Rectangular	70
PXD303	5 Way Rectangular	70
PXD306	5 Way Rectangular	70
PXD301/xxx/07/1	5 Way Rectangular	71
PXD301/xxx/08/1	5 Way Rectangular	71
PXD303/xxx/07/1	5 Way Rectangular	71
PXD303/xxx/08/1	5 Way Rectangular	71
PXD701	6 Way Square	72
PXD500	6 Way Square	72
PXD703	6 Way Square	72
PXD706	6 Way Square	72

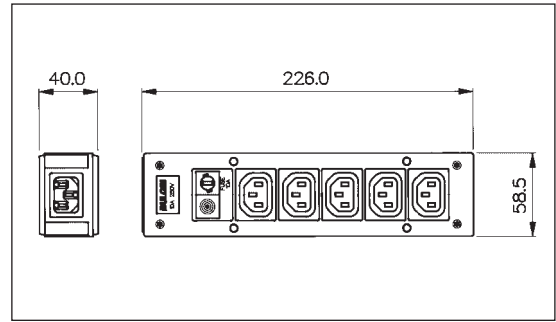
IEC Rectangular Distribution Units

IEC DISTRIBUTION BOX



PXD301/050/01/1

- Five Shuttered Outlets
- 5 x 20mm Fuseholder
- Neon Indicator
- Filtered or Non-filtered
- EN60320 Inlet
- 10A, 250V a.c.

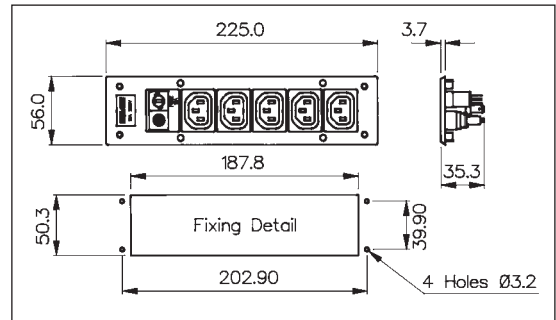


IEC PANEL MOUNT DISTRIBUTION UNIT



PXD100/050/01/1

- Five Shuttered Outlets
- 5 x 20mm Fuseholder
- Neon Indicator
- Screw Fit to Panel
- 10A, 250V a.c.

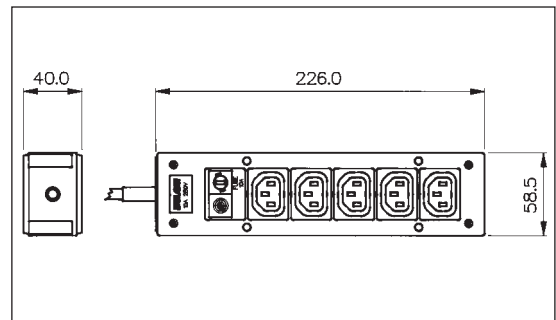


IEC DISTRIBUTION BOX



PXD303/050/01/1
PXD306/050/01/1

- Five Shuttered Outlets
- 5 x 20mm Fuseholder
- Neon Indicator
- Filtered or Non-filtered
- 2 Metre Cable with BS1363 Plug
- 10A, 250V a.c.



IEC CONNECTORS

Part No.	Inlet	Outlet	EMI Filter	Neon Indicator	Fuse	Illuminated Switch	Approvals
Panel Style:							
PXD100/050/01/1		5 Shuttered		1	1		Ⓢ
Box Style:							
PXD301/050/01/1	1	5 Shuttered		1	1		Ⓢ
PXD301/050/07/1	1	5 Shuttered				Red	
PXD301/050/08/1	1	5 Shuttered				Green	
PXD301/550/01/1	1	5 Shuttered	✓	1	1		Ⓢ
PXD301/550/07/1	1	5 Shuttered	✓			Red	
PXD301/550/08/1	1	5 Shuttered	✓			Green	
PXD303/050/01/1	2m cable with BS1363 plug	5 Shuttered		1	1		
PXD303/050/07/1	2m cable with BS1363 plug	5 Shuttered				Red	
PXD303/050/08/1	2m cable with BS1363 plug	5 Shuttered				Green	
PXD303/550/01/1	2m cable with BS1363 plug	5 Shuttered	✓	1	1		
PXD303/550/07/1	2m cable with BS1363 plug	5 Shuttered	✓			Red	
PXD303/550/08/1	2m cable with BS1363 plug	5 Shuttered	✓			Green	
PXD306/050/01/1	2m cable with CEE7 Sheet VII plug	5 Shuttered		1	1		Ⓢ

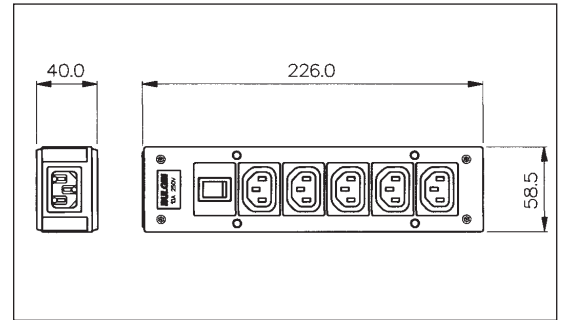
IEC Rectangular Distribution Units

IEC DISTRIBUTION BOX




PXD301/050/07/1

- Five Shuttered Outlets
- Illuminated Switch
- Filtered or Non-Filtered
- EN60320 Inlet
- 10A, 250V a.c.

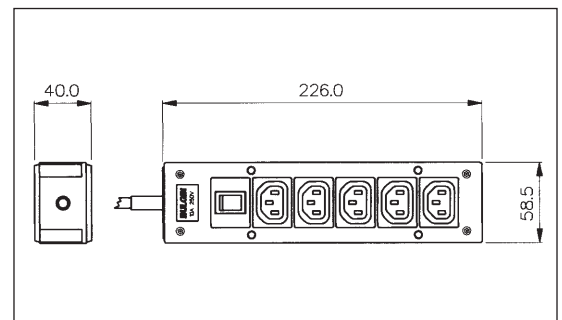


IEC DISTRIBUTION BOX



PXD303/050/08/1

- Five Shuttered Outlets
- Illuminated Switch
- Filtered or Non-Filtered
- 2m Cable and BS1363 plug
- 10A, 250V a.c.



IEC CONNECTORS

Specification	
Mouldings:	Thermoplastic
Contacts:	Outlets: Brass, Tin Plated Inlets: Brass, Nickel Plated
Voltage Rating:	250V a.c. 50/60Hz
Current Rating:	10A
Proof Voltage:	2kV
Temp. Range:	-5°C to +60°C
Filter	
Max. Earth Leakage Current:	<0.35mA (at 250V, 50Hz)
Capacitor:	2 x 2.2nF (Y), 1 x 15nF (X)
Inductance:	2 x 0.35mH
Fuse:	5 x 20mm, 10A (ceramic HRC type, IEC 127)

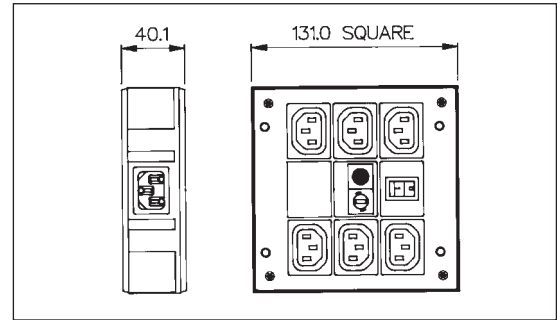
IEC Square Distribution Units

IEC DISTRIBUTION BOX



PXD701/061/10/1

- Six Shuttered Outlets
- 5 x 20mm Fuseholder
- Filtered or Non Filtered
- Switch, Fuse, Neon Indicator
- With IEC Inlet
- 10A, 250V a.c.

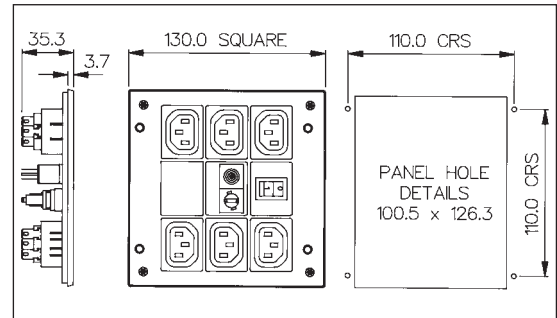


IEC PANEL MOUNT DISTRIBUTION UNIT



PXD500/061/10/1

- Six Shuttered Outlets
- 5 x 20mm Fuseholder
- Switch, Fuse, Neon Indicator
- Screw Fit to Panel
- 10A, 250V

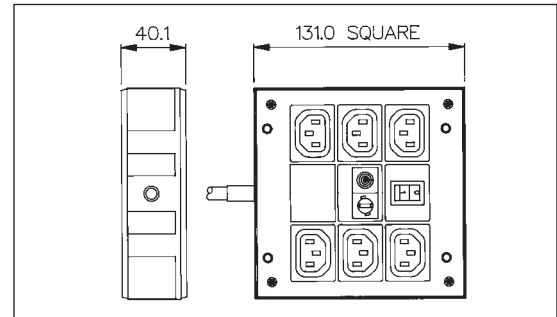


IEC DISTRIBUTION BOX



PXD703/061/10/1
PXD706/061/10/1

- Six Shuttered Outlets
- 5 x 20mm Fuseholder
- Filtered or Non Filtered
- Switch, Fuse, Neon Indicator
- 2 Metre Cable with BS1363 or CEE7 Plug
- 10A, 250V



IEC CONNECTORS

Specification		Part No.	Inlet	Outlet	EMI Filter	Switch	Fuse	Neon Indicator
Mouldings:	Thermoplastic	Panel Style:						
Contacts:	Outlets: Brass, Tin Plated Inlets: Brass, Nickel Plated	PXD500/061/10/1		6 Shuttered		1	1	1
Voltage Rating:	250V a.c. 50/60Hz	Box Style:						
Current Rating:	10A	PXD701/061/10/1	1	6 Shuttered		1	1	1
Proof Voltage:	2kV	PXD701/561/10/1	1	6 Shuttered	✓	1	1	1
Temp. Range:	-5°C to +60°C	PXD703/061/10/1	2m cable with BS 1363 plug	6 Shuttered		1	1	1
Filter		PXD703/561/10/1	2m cable with BS 1363 plug	6 Shuttered	✓	1	1	1
Max. Earth Leakage Current:	<0.35mA (at 250V, 50Hz)	PXD706/061/10/1	2m cable with CEE7 Sheet VII plug	6 Shuttered		1	1	1
Capacitor:	2 x 2.2nF (Y), 1 x 15nF (X)							
Inductance:	2 x 0.35mH							
Fuse:	5 x 20mm, 10A (ceramic HRC type, IEC 127)							

Other versions available on request.